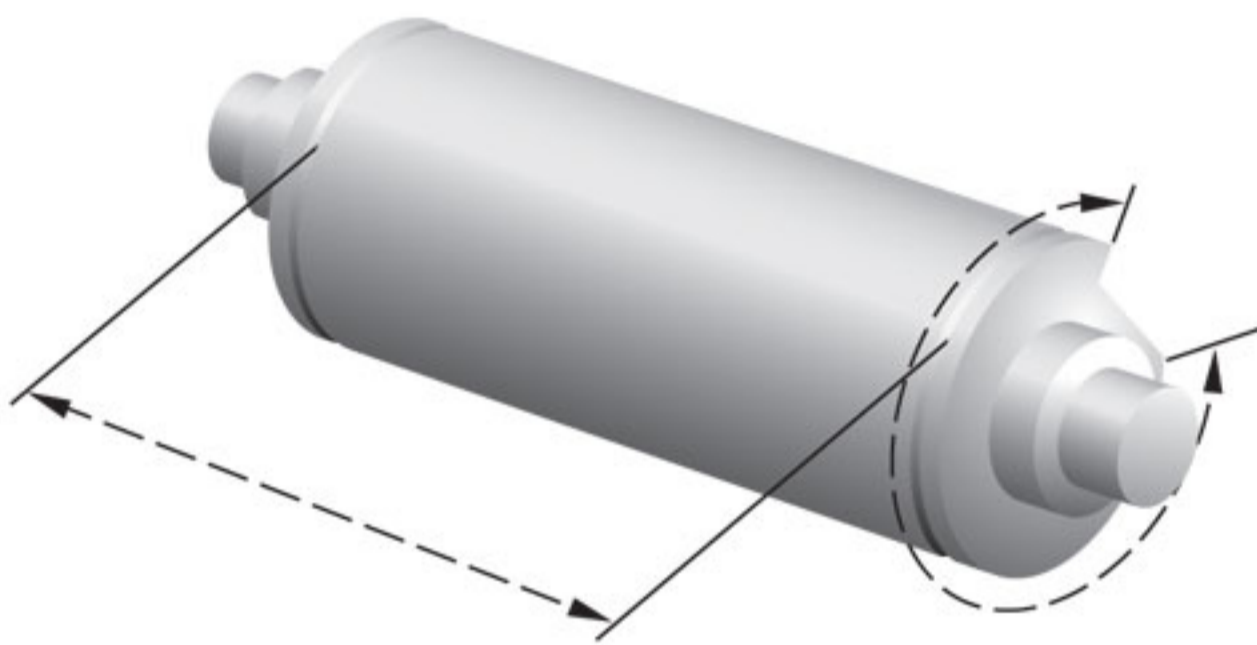


INSTALLATION OF PEARL-TEX AND GEM-KOTE ANTI-MARKING SYSTEM

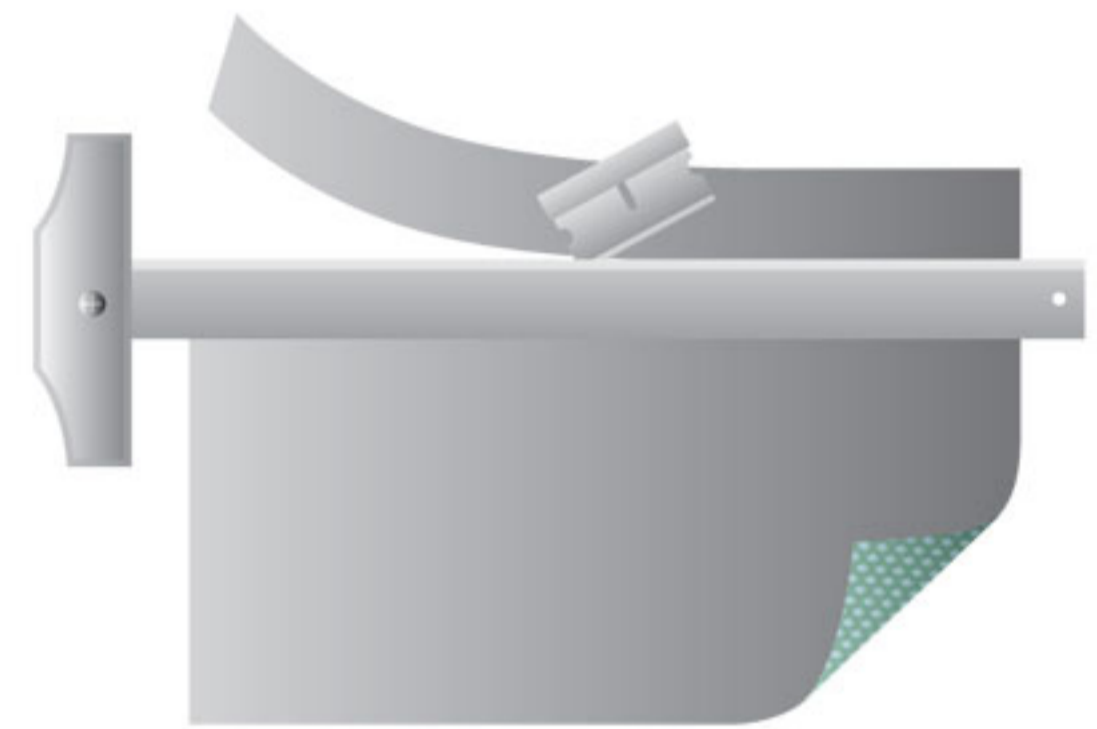
PRESSURE SENSITIVE BACKING TYPE

SECURE ATTACHMENT

- STEP A**
- Determine proper film size by measuring cylinder - width & gap to gap Circumference.
 - If using precut film, proceed STEP C.



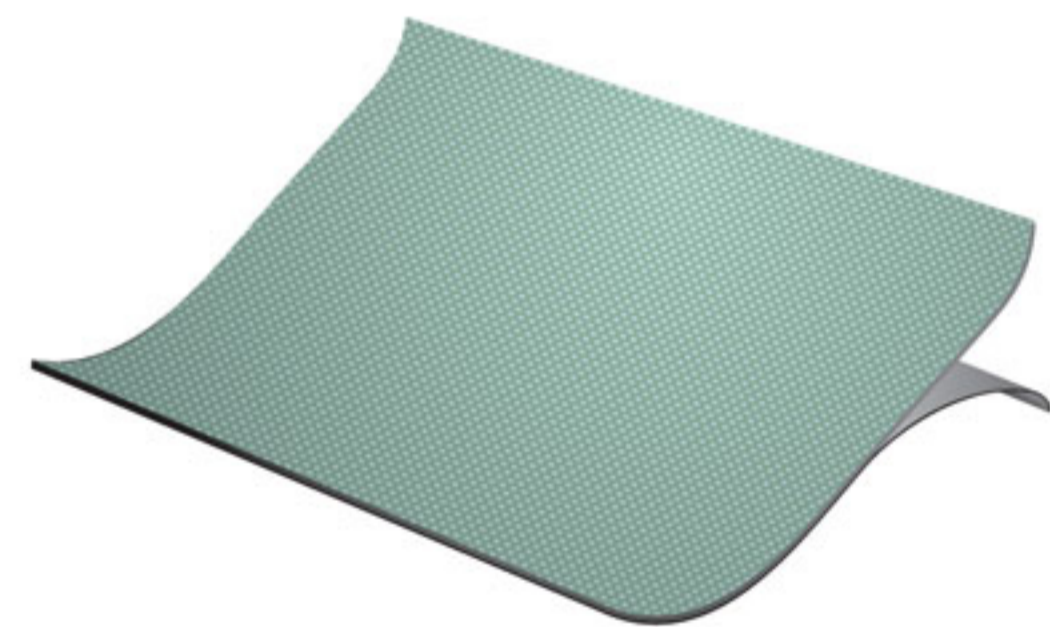
- STEP B**
- Use straight edge & razor blade to cut film. (Cut from smooth side surface)



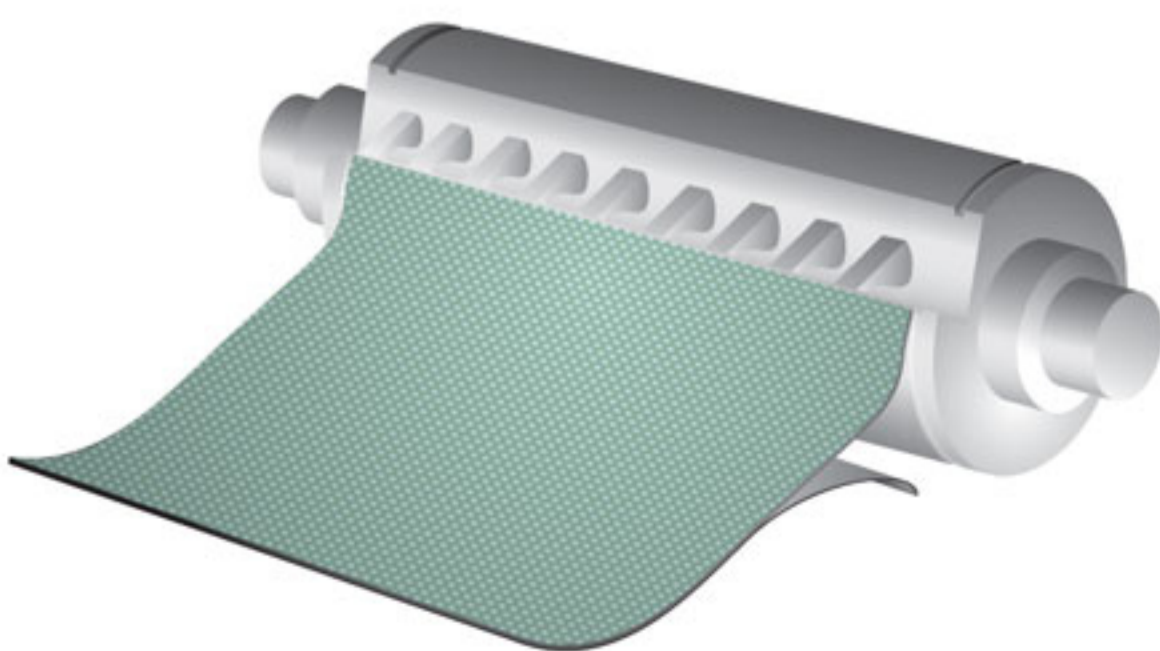
- STEP C**
- Clean cylinder surface with non-residue solvent before applying film.



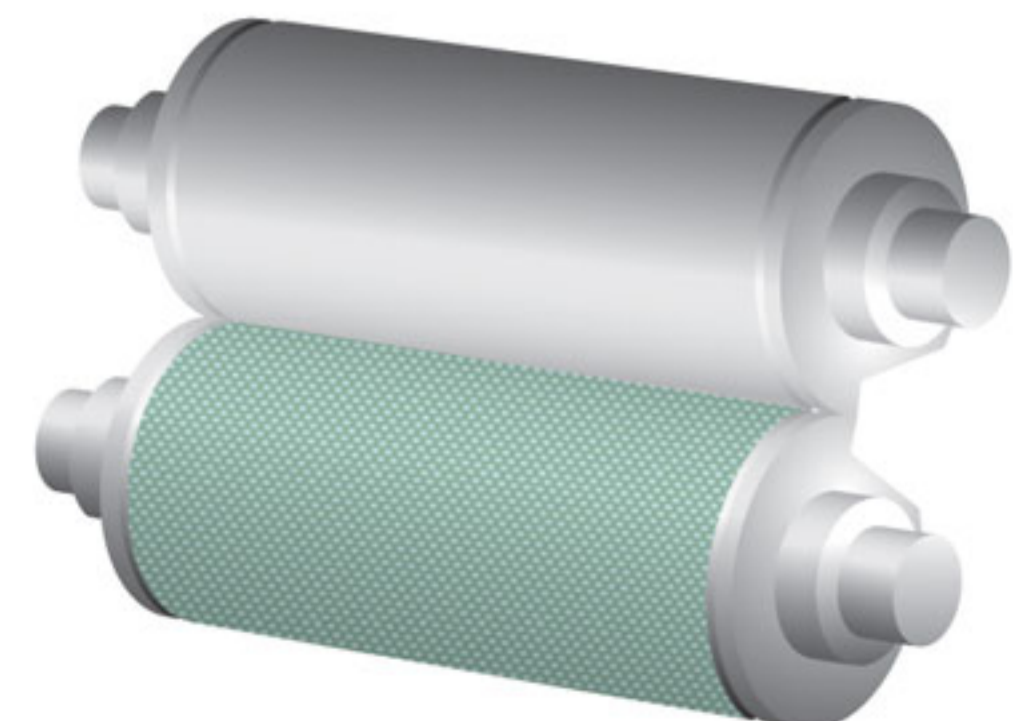
- STEP D**
- Initially peel back 2~3 inches of release paper before applying lead edges of cylinder.



- STEP E**
- Attach a film starting with gripper side edge.
 - Rotate the press slowly until film is securely attached on cylinder surface.
 - Best result achieved using 2 persons.



- STEP F**
- Rotate the press for check any air-bubbles or wrinkles on surface of film.
 - If film is not smoothly attached on cylinder, repeat STEP E.



Follow these instructions for Transfer and Delivery Cylinder application with pressure sensitive backing film.